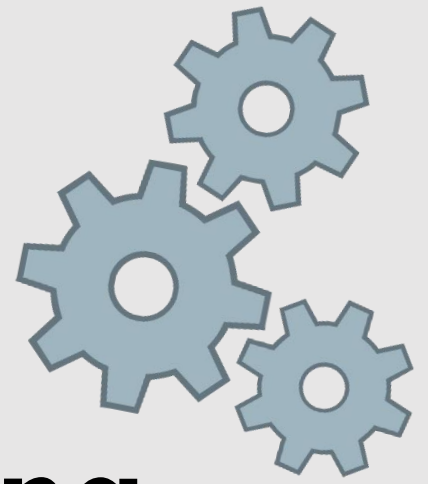
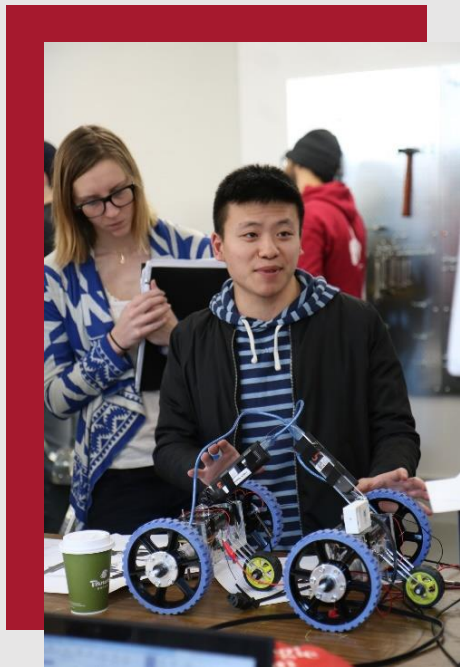


Engineering Design II & Electromechanical Systems Design *present...*



Mechanical Engineering Design Exposition

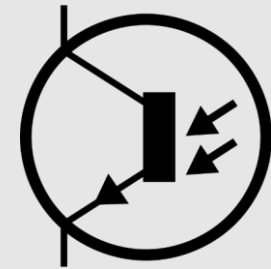


Stair-Climbing Emergency Response Support Robot

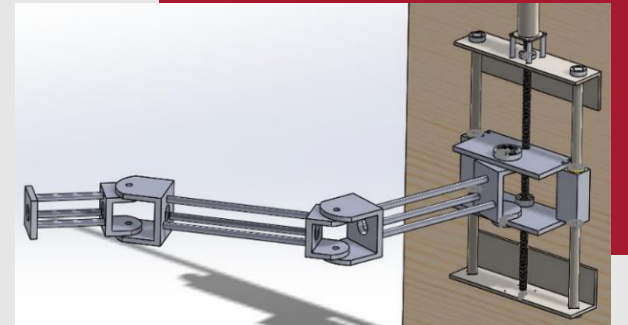
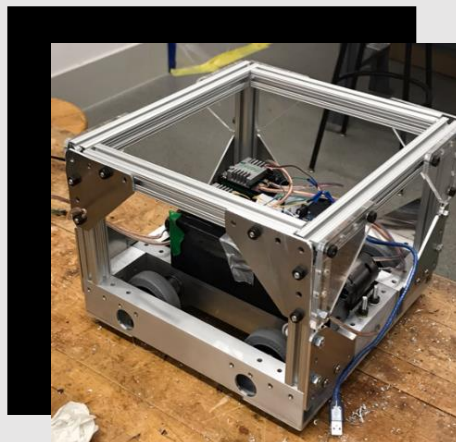
Proper-Form Hamstring Stretcher

Ultrasonic Eyeglass Cleaner

Compact, Dual-Dose EpiPen



Auto³Charger - Autonomous
Electric Vehicle Charger



TackleSmart - The Smart
Tackling Dummy

Hand Exoskeleton Grip Assist

Portable Hydroelectric Generator

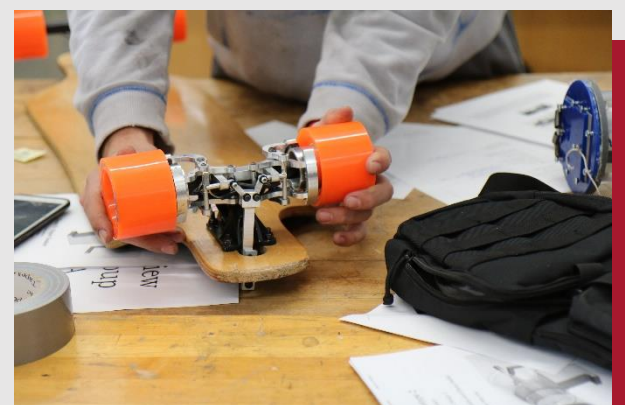
Constant-Stream Super-Soaker Squirt Gun



Longboard Brake

Stand-Alone Folding
Hammock

Automated Herb Garden



Monday, December 11th | 10:00AM – 2:00PM

CUC Rangos 1 & 2